

Semi-automatic weighing and packaging line type WN/T

In order to supplement our offer with an additional capacity level, the team of our constructors designed a semi-automatic weighing and packaging line of the WN/T type, which was appreciated by a large group of producers and, moreover, is a perfect complementation of our range of products.

The WN/T type line is a semi-automatic appliance for weighing and packing **loose / granulated** products with the use of **open type bags**.

The presented line is equipped with a suitably shaped scales hopper which is filled by a belt feeder with variable speeds. This type of weighing products is known as the net system.

Owing to the application of this solution, we achieved line capacity that can reach up to **400 batches per hour** (depending of product characteristic and operator skills).



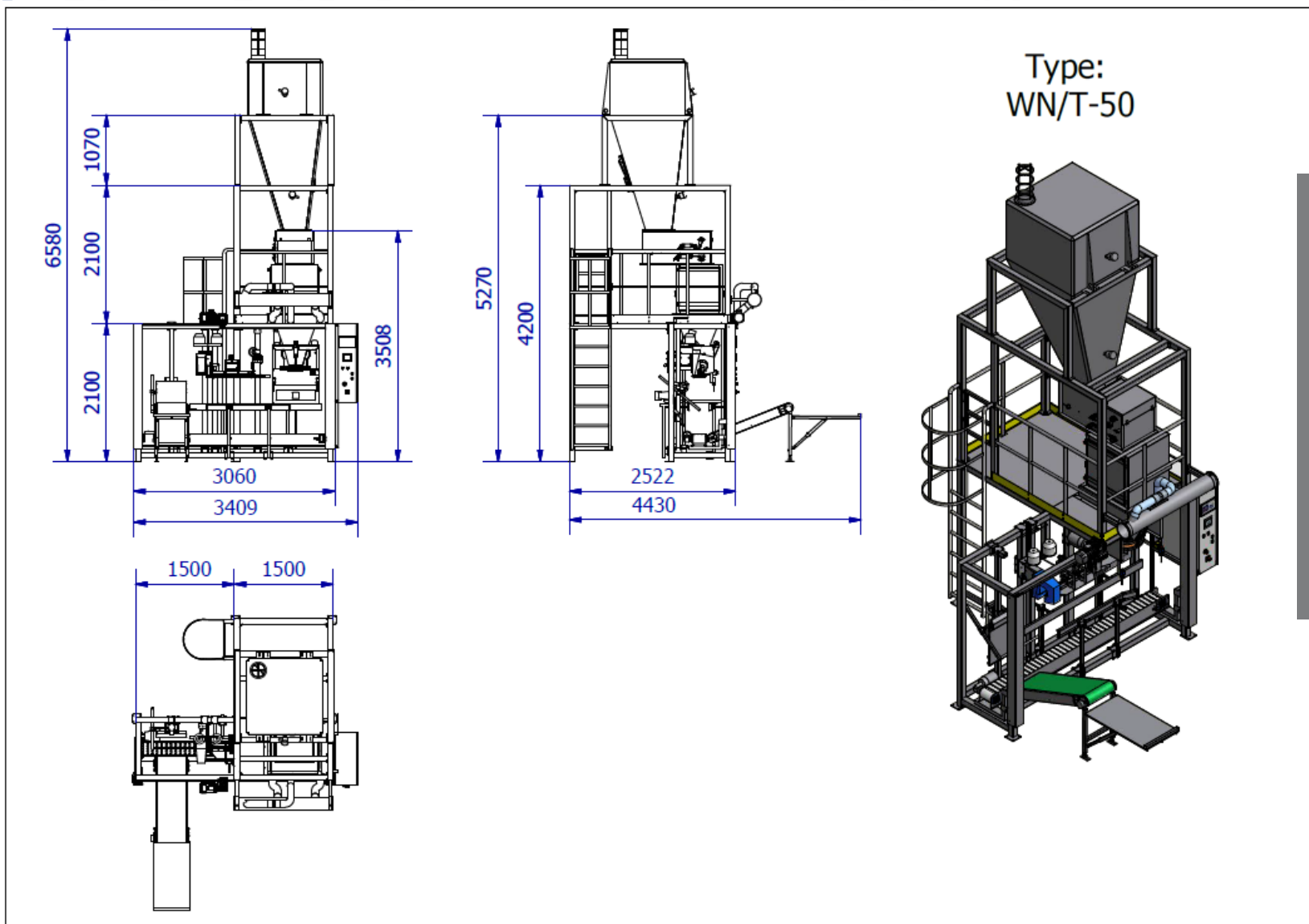
Basic subassemblies of the appliance:

- Line supporting structure with a service platform
- Electronic batching scales of the net type
- Belt feeder
- Open mouthpiece
- Belt conveyor for transporting bags
- Belt conveyor height adjustment system
- Bag top guiding system
- Single-thread stitcher
- Side belt conveyor collecting bags with a system for overturning bags
- Clear control system based on Siemens PLC controller with a touch panel
- Applied SEW or LENZE drives / servo drives

Optional equipment:

- System for folding bag top
- System for applying crepe tape
- System for sucking out air from product in a bag
- Filled bag vibration system
- Feeder cleaning system
- Impulse or continuously heated sealing unit
- Double-thread stitcher
- Balancing container located above the scales





Type:
WN/T-50

Basic technical parameters:

- Maximum batch weight: 50kg,
- Minimum batch weight: 10kg,
- Line capacity: up to 400 batches/hour (depending on the product characteristics, batch size and operator skills),
- Bag type: open bags, multilayer paper bags (up to 4 layers), envelope-shaped bottom bags without side folds are recommended, PE foil bags, PP polypropylene coated bags,
- Bag width: 450 – 650mm,
- Bag length: 600 – 1100mm
- Power supply: 3 x 400V 50Hz,
- Power requirement: max. 4.5kW,
- Compressed air supply: 5 – 10bar,
- Compressed air consumption: 240-400NI/min,

