



Semi-automatic weighing and packaging line type WB/T

It was a market demand that induced us to design the semi-automatic weighing and packaging line of the WB/T type, which combines in itself precision of weighing, relatively low price and simplicity of operation.

The WB/T type line is a semi-automatic appliance for weighing and packaging **loose / granulated** products with the use of **open type bags**.

The presented line is equipped with a weighing system mounted on the mouthpiece, called a gross system, which denotes that the product is dispensed with the use of a belt conveyor to the packaging. Owing to the above, we achieved considerable cleanness of the entire system, which is of significance for the quality of production.

The WB/T type line can reach the capacity of up to **280 batches per hour**.

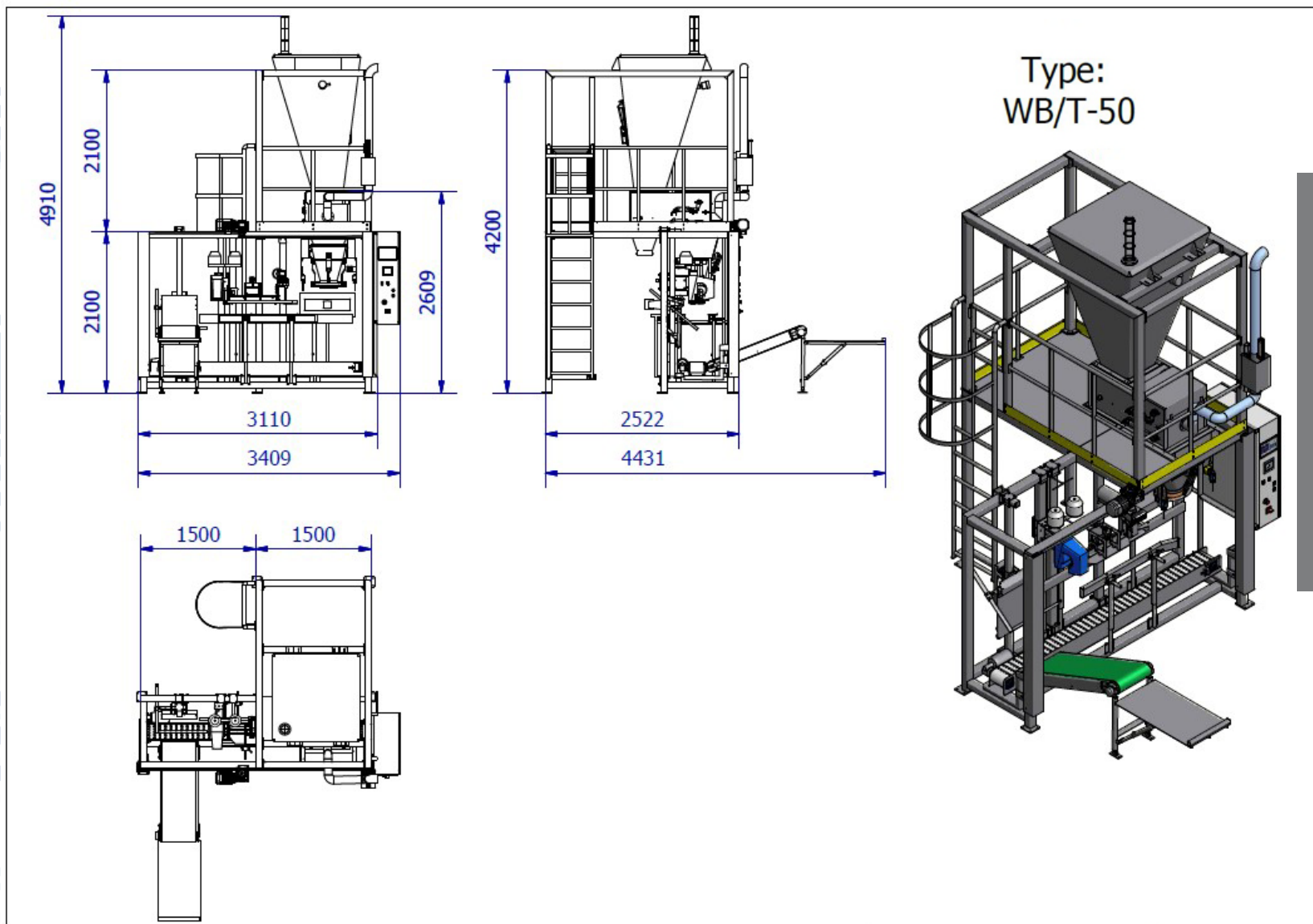
Basic subassemblies of the appliance:

- Line supporting structure with a service platform
- Electronic batching scales of the gross type
- Belt feeder
- Open mouthpiece
- Belt conveyor for transporting bags
- Belt conveyor height adjustment system
- Bag top guiding system
- Single-thread stitcher
- Side belt conveyor collecting bags with a system for overturning bags
- Clear control system based on Siemens PLC controller with a touch panel
- Applied SEW or LENZE drives / servo drives

Optional equipment:

- System for folding bag top
- System for applying crepe tape
- System for sucking out air from product in a bag
- Filled bag vibration system
- Feeder cleaning system
- Impulse or continuously heated sealing unit
- Double-thread stitcher
- Balancing container located above the scales





Type:
WB/T-50

Basic technical parameters:

- Maximum batch weight: 50kg,
- Minimum batch weight: 10kg,
- Line capacity: up to 280 batches/hour (depending on the product characteristics, batch size and operator skills),
- Bag type: open bags, multilayer paper bags (up to 4 layers), envelope-shaped bottom bags without side folds are recommended, PE foil bags, PP polypropylene coated bags,
- Bag width: 450 – 650mm,
- Bag length: 600 – 1100mm
- Power supply: 3 x 400V 50Hz,
- Power requirement: max. 4.5kW,
- Compressed air supply: 5 – 10bar,
- Compressed air consumption 200-400NI/min,

